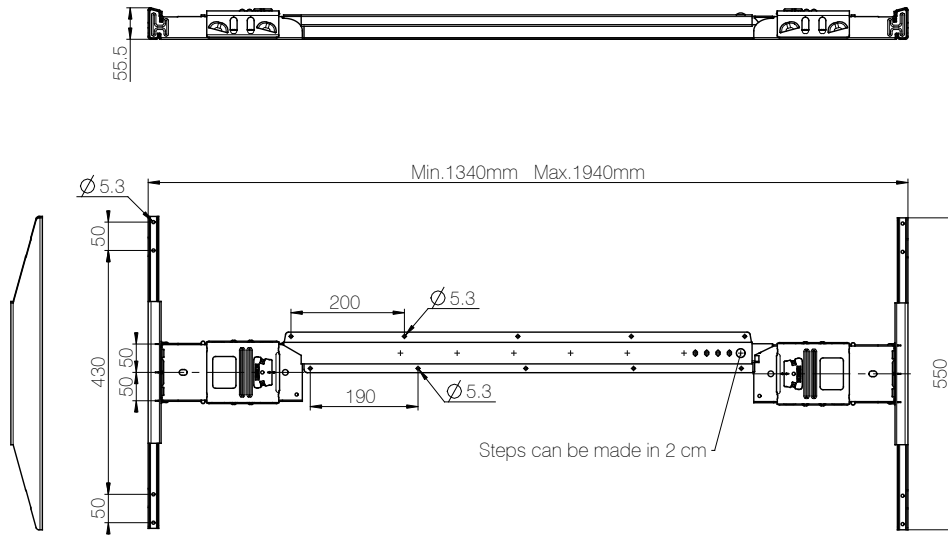


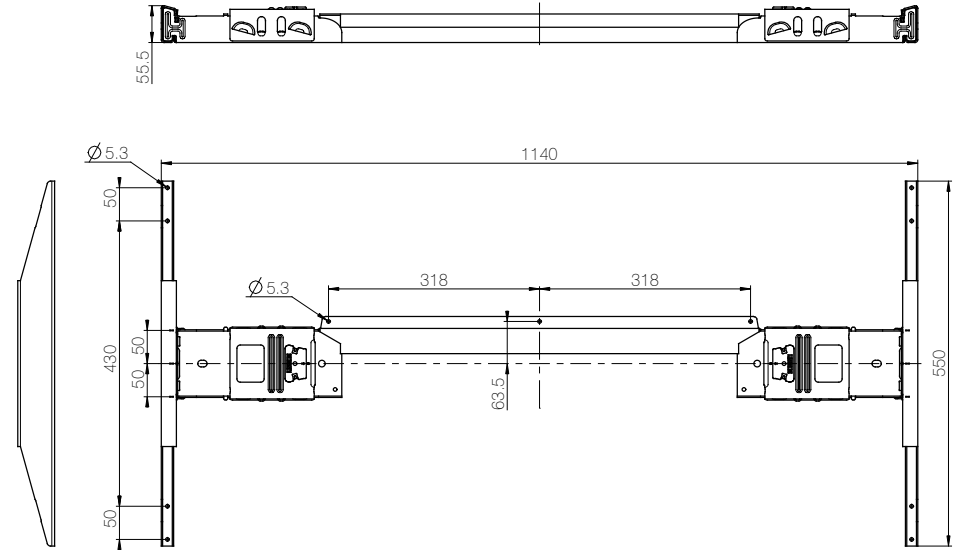
Dimension

Kick & Click Adjustable



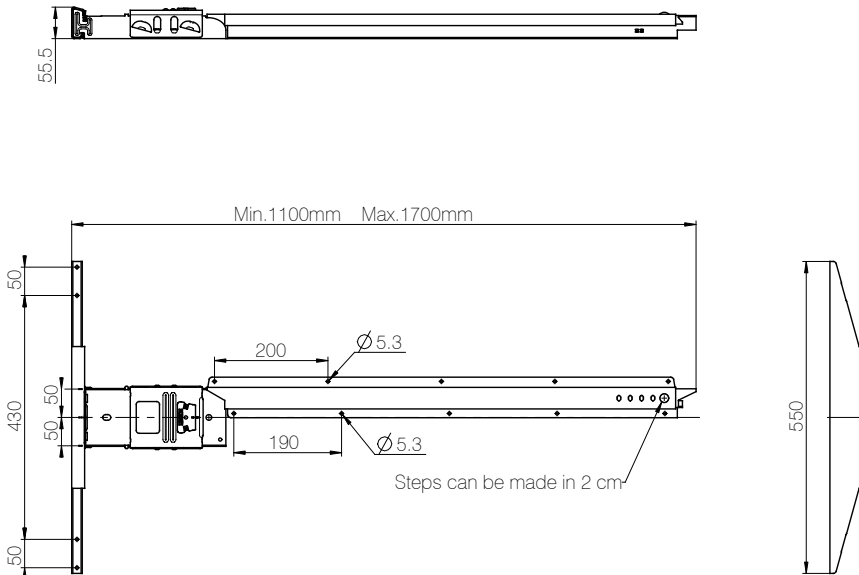
The Adjustable system includes a telescopic inner and outer rail where the base is welded on.

Kick & Click Fixed

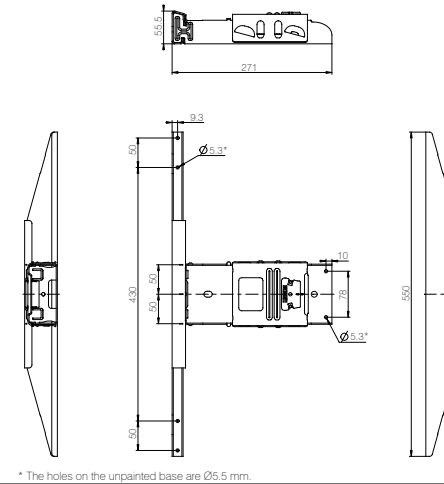


Compared to the Adjustable system the Fixed system only consists of one rail which is welded to the base in both ends.

Kick & Click 3.- leg kit



Kick & Click Base



The Base system is without the inner and the outer rail. The system is preferred if the OEM want to weld his own rail on the Base, or if the desk design does not need a rail e.g. due to tabletop thickness. The Base system could also be used for a 3 leg desk.

* The holes on the unpainted base are Ø5.5 mm.

All rights reserved

Date:
23 November 2016

Description:

Accessory Kick & Click™

LINAK® 
WE IMPROVE YOUR LIFE