

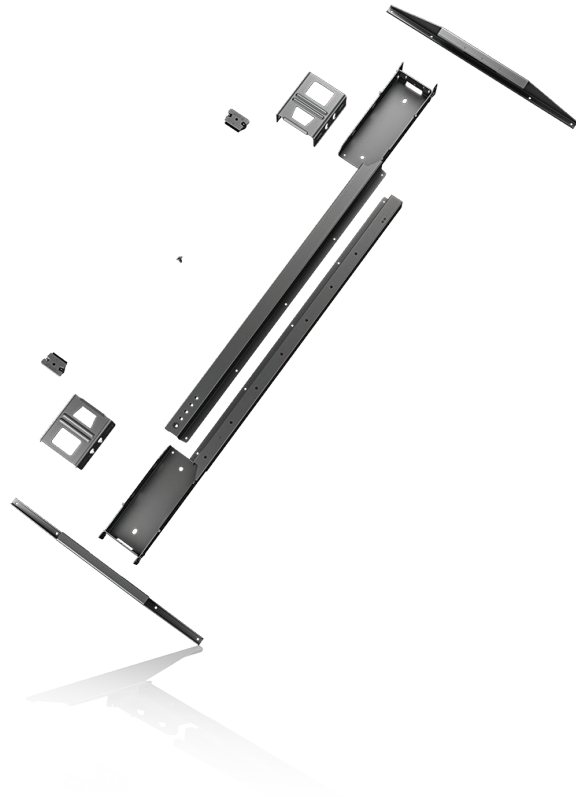
Kick & Click™ Data sheet

Kick & Click™

LINAK introduces a smart and intuitive mounting solution for mounting DESKLIFT™ columns to the tabletop. The solution is perfect for various office desks. The unique feature of Kick & Click is the way of mounting. The system is clicked together without using tools and at the same time avoiding the 6 screws normally used for mounting each column to a frame, simply clever.

Kick & Click is a modular concept compatible with all DESKLINE® columns with motor housing leaving the design to the desk manufacturer. Kick & Click comes standard in 3 versions: Kick & Click™ Adjustable, Kick & Click™ Fixed and Kick & Click™ Base.

Optional, Kick & Click™ can also be used for creating large 3-leg office desks by joining a Kick & Click 3rd leg kit with a Kick & Click system.



Features all versions:

- Colours (all metal parts): Black (RAL 9005), grey (RAL 9006) or white (RAL 9016)
- Cantilever length: 550 mm
- Possible to mount columns centrally or off-centre (T-desk and C-desk)

Features Kick & Click™ Adjustable:

- Fits desks from 1400 - 2000 mm (frame width 1340 - 1940 mm)
- Set packed or delivered bulk
- Optional to order screws for mounting the tabletop

Features Kick & Click™ fixed:

- Fits desks of 1200 mm (frame width 1140 mm)
- Set packed or delivered in bulk
- Optional to order screws for mounting the tabletop

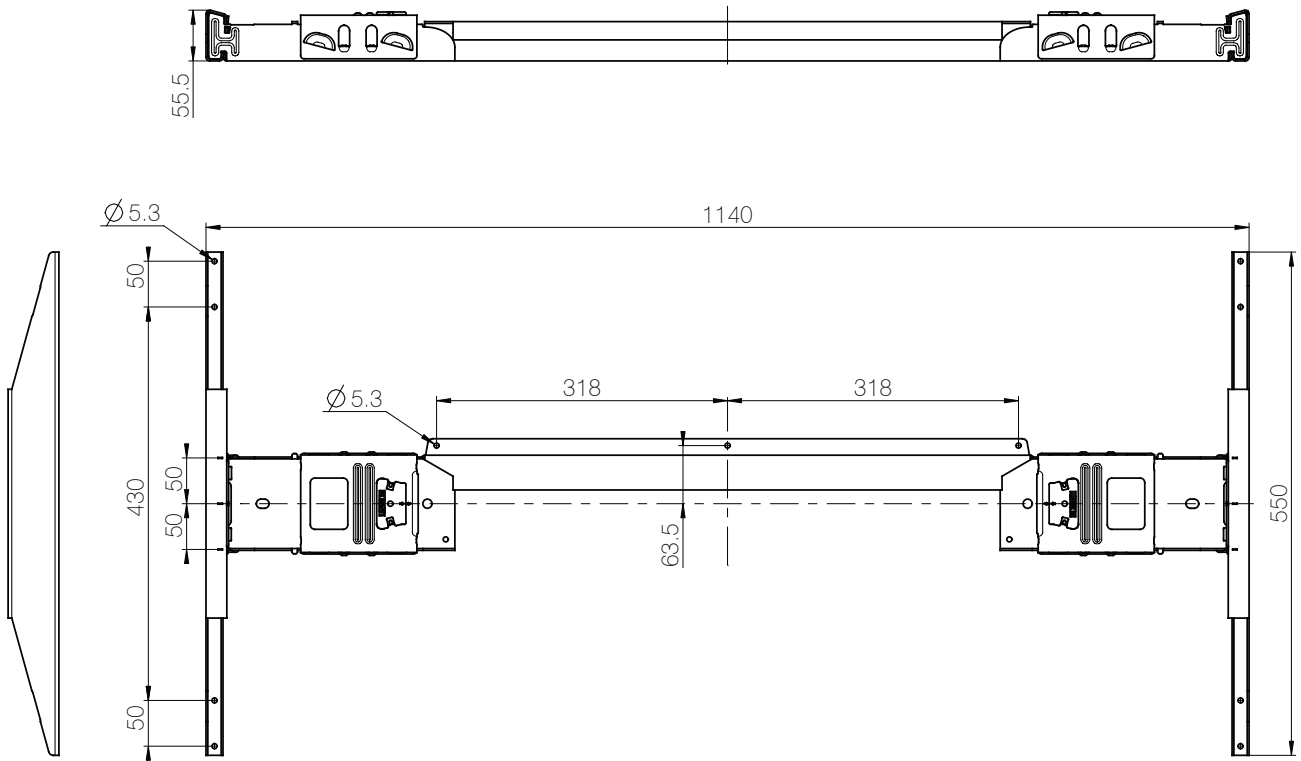
Features Kick & Click™ Base:

- Base consists of Cantilever (x2), Base (x2), Clamp (x2) and Kick Lock (x2) for a 2-leg desk
- Delivered bulk

Usage:

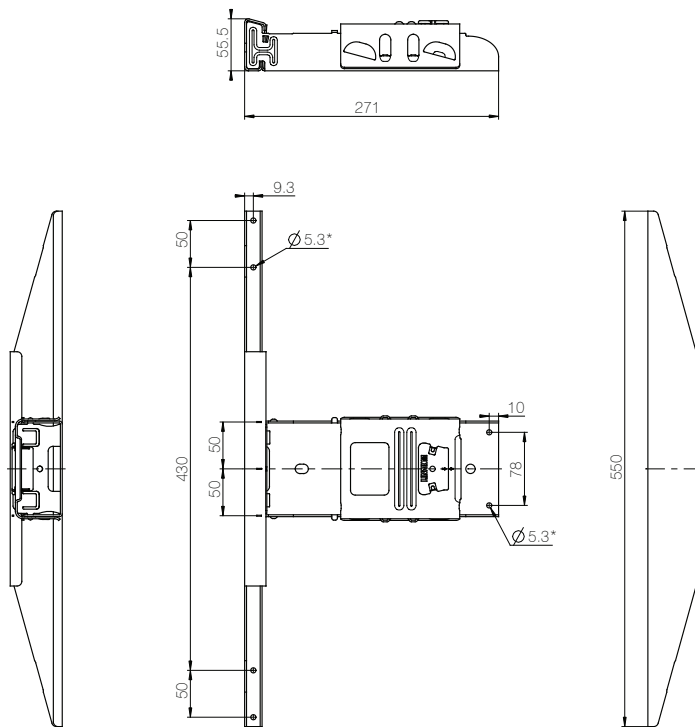
- Compatible with DESKLINE® systems based on columns with motor housing: DL5, DL6, DL8, DL9, DL10, DL11, DL15, DL16 or DL19 standard or IC
- Can be used for either T-desk (centrally placed leg) or C-desk (off-centre placed leg)
- Kick & Click™ Adjustable has been tested in accordance with EN527-1 and EN527-2 for tables from 1.40 m to 2.0 m.
- Kick & Click™ has been tested according to ANSI Bifma 5.5 and is approved up to 1.8 m table width.
- If a complete desk frame is required, use Kick & Click™ together with DESKLIFT™ Feet and a DL SetPack solution

Kick & Click™ Fixed



Compared to the Adjustable system the Fixed system only consists of one rail which is welded to the base in both ends.

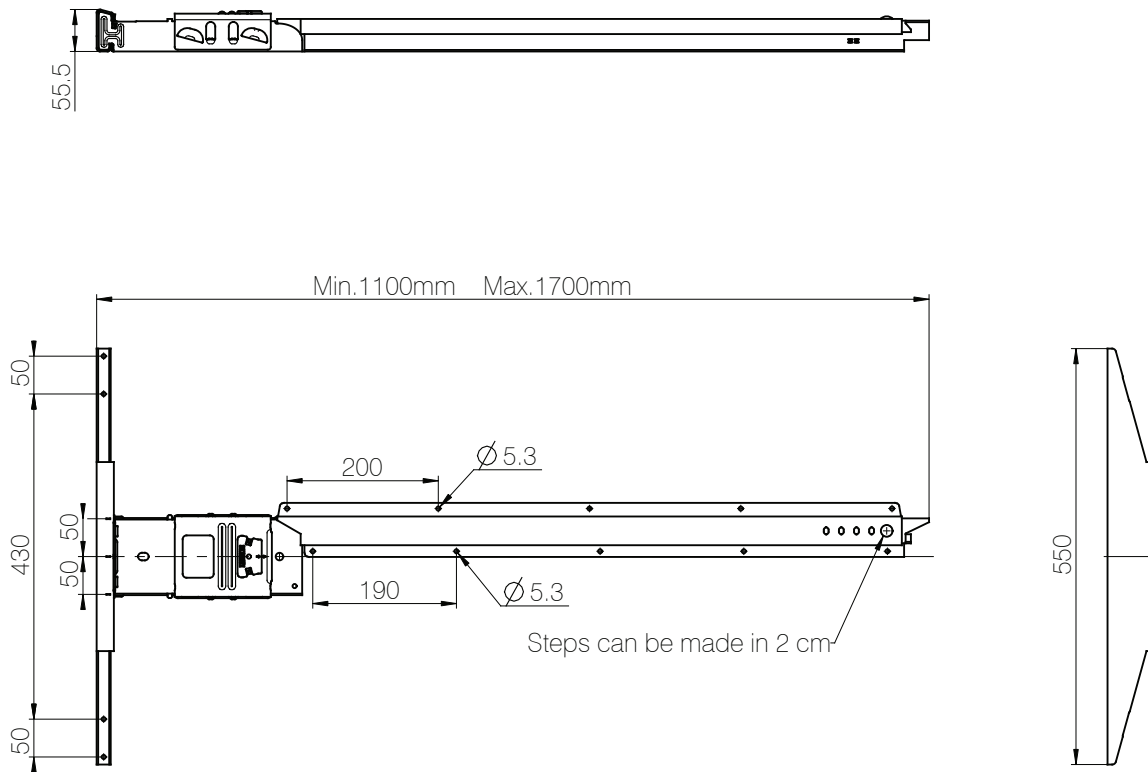
Kick & Click™ Base:



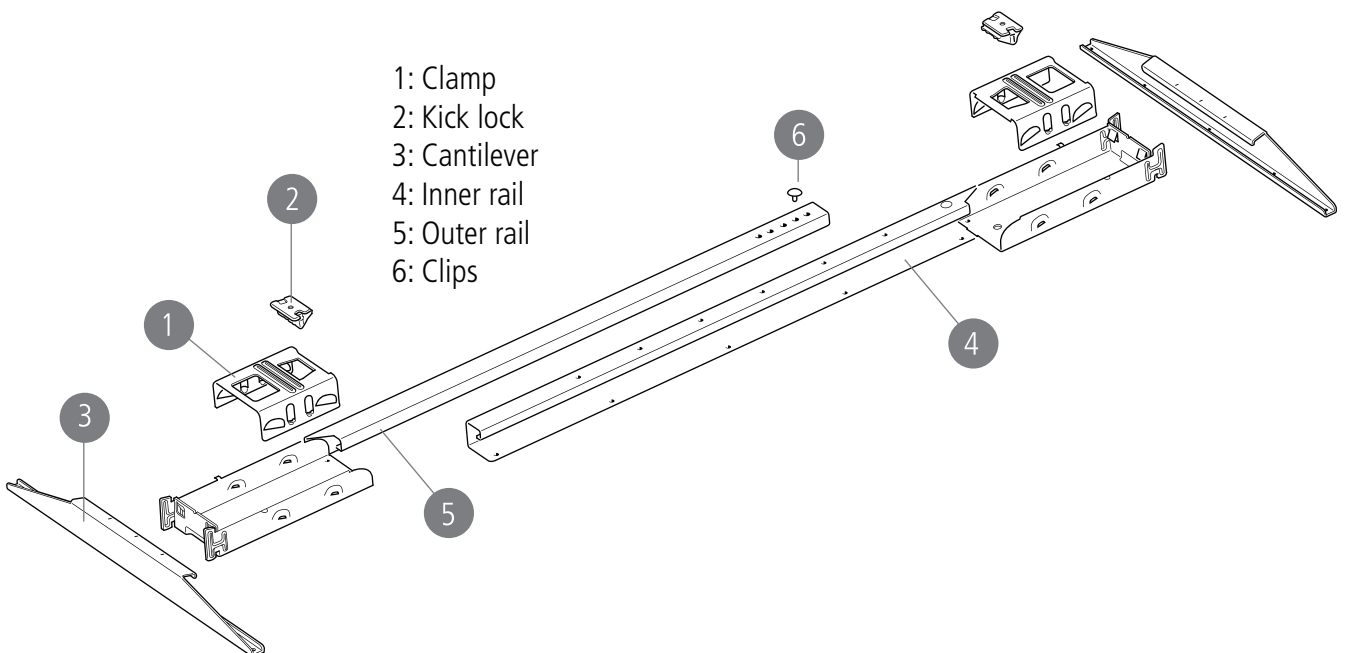
* The holes on the unpainted base are Ø5.5 mm.

The Base system is without the inner and the outer rail. The system is preferred if the OEM want to weld his own rail on the Base, or if the desk design does not need a rail e.g. due to tabletop thickness. The Base system could also be used for a 3 leg desk.

Kick & Click™ 3rd leg kit



Kick & Click™ names of the different parts

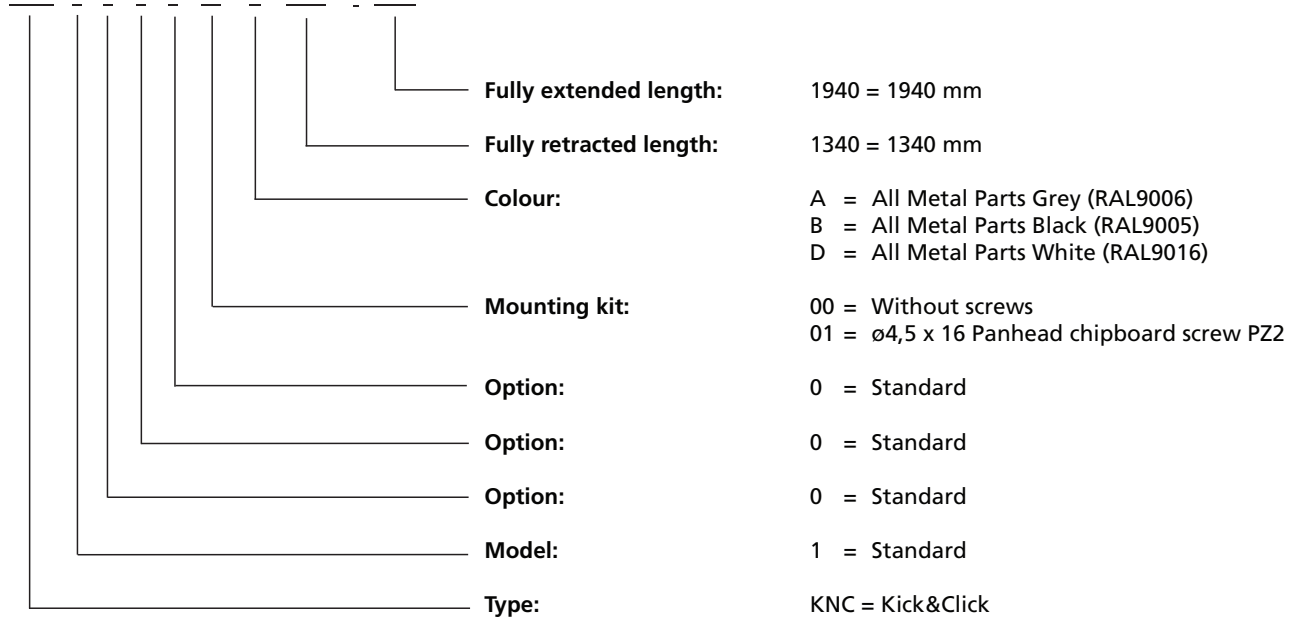


Ordering examples

Kick & Click™ Adjustable


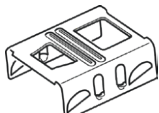
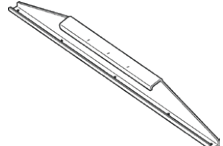
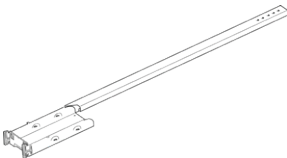
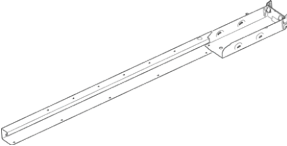

Set packed

KNC 1 0 0 0 01 A 1340 - 1940



50 sets fit on a standard pallet.

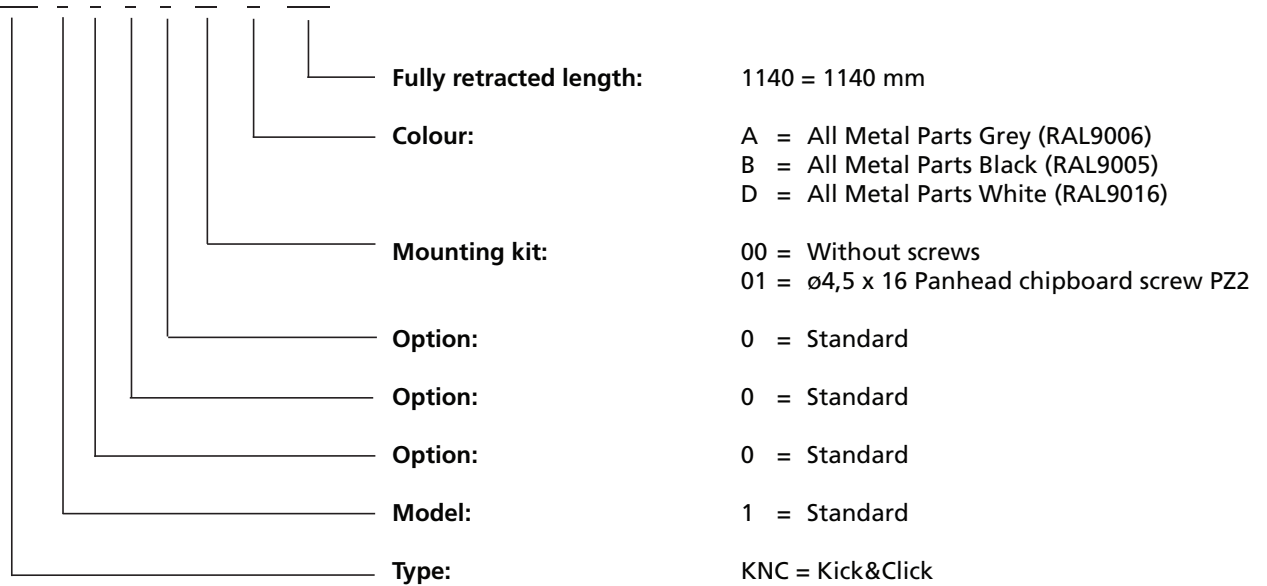
Bulk delivery:

Product	Description	Units needed per desk	Article number
	Kick Lock	2	1003W1003, black
	Clamp	2	1003W3001-120, grey 1003W3001-001, black 1003W3001-022, white
	Cantilever	2	1003W3002-550-120, grey 1003W3002-550-001, black 1003W3002-550-022, white
	Inner rail	1	1003W3003-1062-120, grey 1003W3003-1062-001, black 1003W3003-1062-022, white
	Outer rail	1	1003W3004-1062-120, grey 1003W3004-1062-001, black 1003W3004-1062-022, white
	clips	1	1003W1008, black


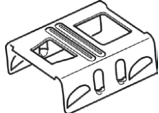
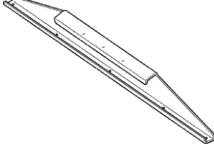

Kick & Click™ Fixed

Set packed

KNC 1 0 0 0 01 A 1140


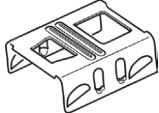
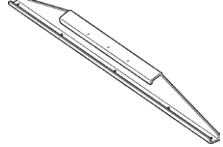
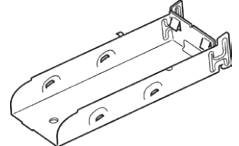


Bulk delivery:

Product	Description	Units needed per desk	Article number
	Kick Lock	2	1003W1003, black
	Clamp	2	1003W3001-120, grey 1003W3001-001, black 1003W3001-022, white
	Cantilever	2	1003W3002-550-120, grey 1003W3002-550-001, black 1003W3002-550-022, white
	Fixed rail with bases	1	1003-W3005-1134-120, grey 1003-W3005-1134-001, black 1003-W3005-1134-022, white

Kick & Click™ Base

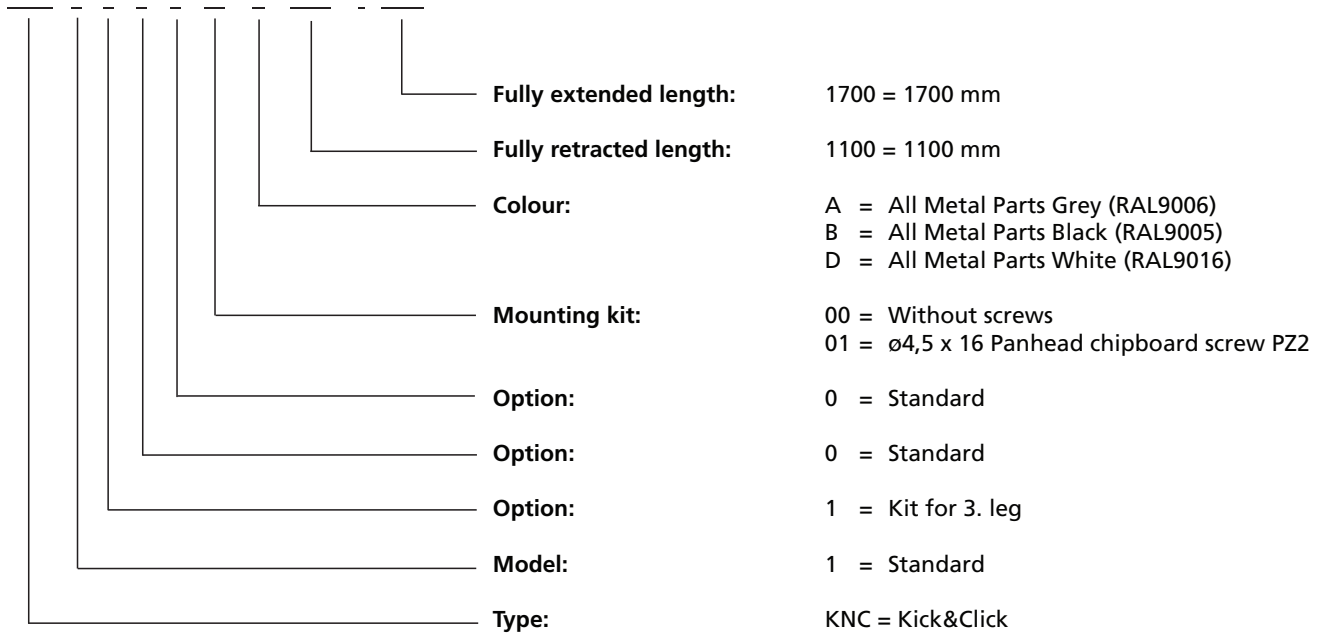
Bulk delivery:

Product	Description	Units needed per desk	Article number
	Kick Lock	2	1003W1003, black
	Clamp	2	1003W3001-120, grey 1003W3001-001, black 1003W3001-022, white
	Cantilever	2	1003W3002-550-120, grey 1003W3002-550-001, black 1003W3002-550-022, white
	Base	2	1003W3006-120, grey 1003W3006-001, black 1003W3006-022, white 1003W3006-000, unpainted


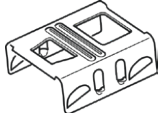
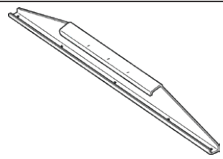
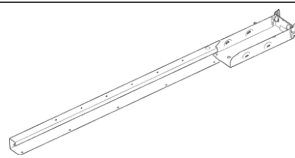
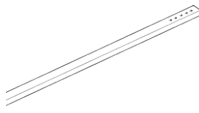

Kick & Click™ 3rd leg kit

Set packed:

KNC 1 1 0 0 01 A 1100 - 1700



Bulk delivery:

Product	Description	Units needed per desk	Article number
	Kick Lock	1	1003W1003, black
	Clamp	1	1003W3001-120, grey 1003W3001-001, black 1003W3001-022, white
	Cantilever	1	1003W3002-550-120, grey 1003W3002-550-001, black 1003W3002-550-022, white
	Outer rail	1	1003W3004-1062-120, grey 1003W3004-1062-001, black 1003W3004-1062-022, white
	Inner rail w. cut	1	1003W3007-120, grey 1003W3007-001, black 1003W3007-022, white
	Clips	1	1003W1008, black

Terms of use

The user is responsible for determining the suitability of LINAK products for specific application. LINAK takes great care in providing accurate and up-to-date information on its products.

However, due to continuous development in order to improve its products, LINAK products are subject to frequent modifications and changes without prior notice. Therefore, LINAK cannot guarantee the correct and actual status of said information on its products.

While LINAK uses its best efforts to fulfill orders, LINAK cannot, for the same reasons as mentioned above, guarantee the availability of any particular product. Therefore, LINAK reserves the right to discontinue the sale of any product displayed on its website or listed in its catalogues or other written material drawn up by LINAK.

All sales are subject to the Standard Terms of Sale and Delivery for LINAK. For a copy hereof, please contact LINAK.